

SHENGWEI 胜为®

胜为耦合器产品规格书



深圳市创新胜为科技有限公司

Shenzhen Innovation Shengwei Technology Co., Ltd.

■ 产品说明

耦合器，又称光纤连接器，是指光线两端都装上连接器插头，用来实现光

路活动连接：一端装有插头则称为尾纤。单模光纤连接器接头连接类型有 FC、SC、ST，端面接触方式有 PC、UPC、APC 型。两端连接器类型或接触面不同的跳线，称为单模转接跳线。

■ 产品特性

- ◇ 插入损耗低
- ◇ 重复性好
- ◇ 互换性好
- ◇ 回波损耗大
- ◇ 互插性能好
- ◇ 温度稳定性好

■ 产品参数

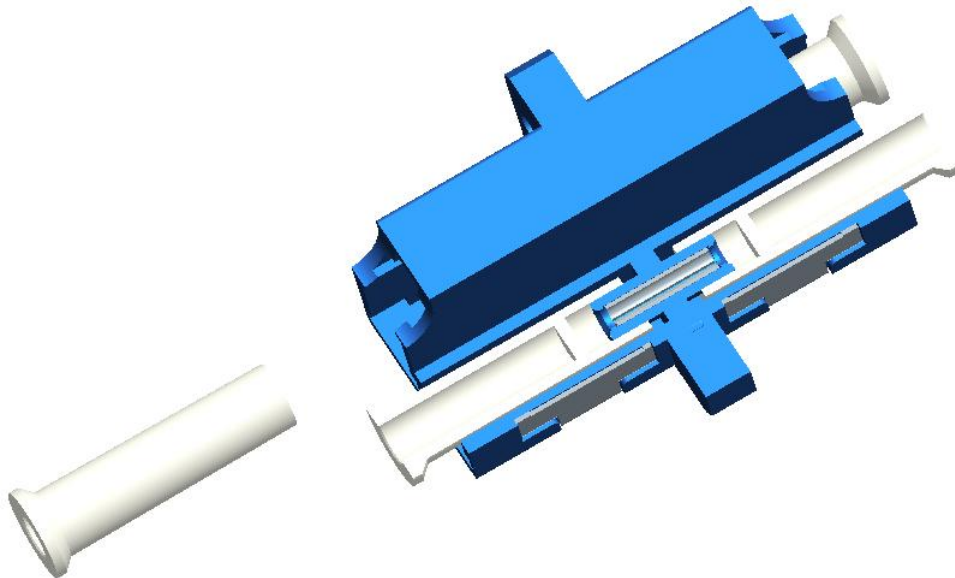
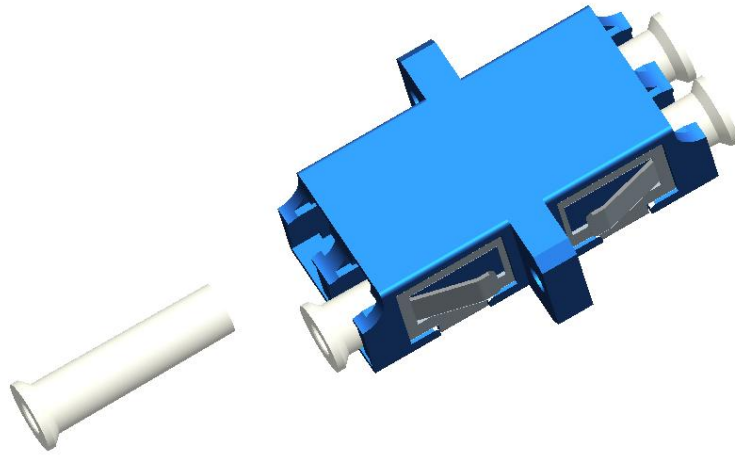
项目 Items	子项目 Sub-items	数量 Number	说明 Explanation	备注 Notes	其它 Others
产品应用环境：LC 场景 Application Condition LC connection area	楼宇住宅小区/室内环境；FTTx 网络，各种光纤网络，测试设备等，或基站类室外环境； Indoor: Building residential area optical network, FTTx network, test instruments and kinds of optical communication network; Outdoor: Telecommunication base station, Cable TV network;				
产品外观 Appearance	适配器外观平滑 洁净 无污渍及毛刺，无刮痕和裂痕 适配器外观颜色鲜明，色泽一致性良好 各零部件组合准确，旋入和旋出连接头时适配器轻松连接牢固 Appearance of adapter must be smooth and clean. It has no oil, burrs, scars and crack The color of adapter must be bright in good consistency All parts of adapter are assembled well without difficulty, it should be easy and comfortable to screw in and screw out connector from adapters and connect tightly.				
材料特性 Material Characteristic	防尘帽类型 Dust cap type	2pcs	长形 LC 防尘帽 Round and long	颜色可选红/绿/无色透明 Color may select Red/Green /water clear	
	防尘帽材料 Dust cap material		PP/TPE		
	防尘帽颜色 Cap color	白色 White			
	适配器材料 Material-housing	1set	PBT/PEI		

项目 Items	子项目 Sub-items	数量 Number	说明 Explanation	备注 Notes	其它 Others	
	适配器颜色 Adapter color-housing		UPC: 蓝色 UPC: Blue			
	垫片材料 Shin material					
	陶瓷套管材料 Sleeve Material	1pcs	二氧化锆陶瓷 Zirconia Ceramics	-		
	附加说明 Others		Other parameters meet standard IEC61754-4, YD/T 1272.3			
结构功能要求 Physical & Function Requirements	★器件类型 /Adapter Type	双工 Duplex	LC-LC			
	端口数 Port Number		2			
	★面板配合尺寸要求 Panel Mounting Dimension	建议开孔尺寸案例如 SC 单工适配器 A panel hole suggest as SC Adapter				
机械性能 型式试验 Mechanical Characteristic	★插拔力/ Mating, Unmating Force	19.6N Max	LC&SC:19.6N Max	MPO:3.4N Max		
	锁紧机构抗拉强度 Tensile strength of coupling mechanism	40N/10 Minute	IEC61300-2-6	68.6N, 保持 15 S 68.6N keeping 15S		
		70N/10 Minute	GR326			
	陶瓷套管-主体保持力 Ceramic Bushing Retention Force	80N Min. per port				
	防尘帽保持力 Cap retention force	3-15N	常温: 6N-10N 高温 50°C烘烤后: 2N-3N			
	陶瓷套管强度 Ceramic strength	6.8kg F 5S	陶瓷套管方向, 陶瓷套管无 破裂, 且插损和回损满足要 求	或 7kgf 5S, 陶瓷 套管无破裂 IL 合格		
		3.4kg F 5S	陶瓷套管 90 度方向, 套管 无破裂, 且插损和回损满足 要求	或 5kgf 5S, 陶瓷套管无破裂 IL 合格		
	★耐久性 Durability EIA-364-09C	$\Delta IL \leq 0.2dB$	5,00 times (SC\LC\FC)	2,00 times (MPO)		
	跌落测试 Impact Test★耐久性 Durability EIA-364-09C	8 次 1.5 米跌落 后插损变化量 \leq 0.2dB	Test method: IEC61300-2-12 Method A Drop cycle: 8 for each plug Drop height: 1.5m Requirements: Δ IL \leq 0.2dB, Δ RL \leq 5 dB, No mechanical damage of the adapter.	Or: Number of drops: 8 for each plug Drop height:1.5m, Δ IL \leq 0.2dB		
	重复插拔测试 Repetition performance	重复插拔测试 500 次后插损变 化量 \leq 0.2dB	IEC61300-2-2 Number of the cycles: 500 Requirements: Δ IL \leq 0.2dB, Δ RL \leq 5dB, No mechanical damage	Or: Plug in/out 500 cycles, Δ IL \leq 0.2dB		
机械耐久性测试 Mating durability	500 times	插拔次数/Durability (EIA-364-09C)	500 times (SC\LC\FC)			
温度循环 Temperature Cycling	After 21 cycles Δ IL \leq 0.2dB	High temperature: 75°C Room temp.: 23°C ; Low temp.: -40°C ; Duration at each dwell temperature: 1hour; Ramp time: 1 hour; Number of cycles: 21; Requirements: During and after Δ IL \leq 0.2dB, Δ RL \leq 5 dB, No mechanical damage	Or: Same condition, only Δ IL \leq 0.2dB NO test RL			
机械性能 型式试验 Mechanical	正弦振动 Vibration Test	IEC61300-2-1 实验后, 插损变 化量 \leq 0.2dB	Test method: IEC61300-2-1 Frequency range: 45 Hz	Or: Frequency range: 45 Hz per min, 10Hz to		

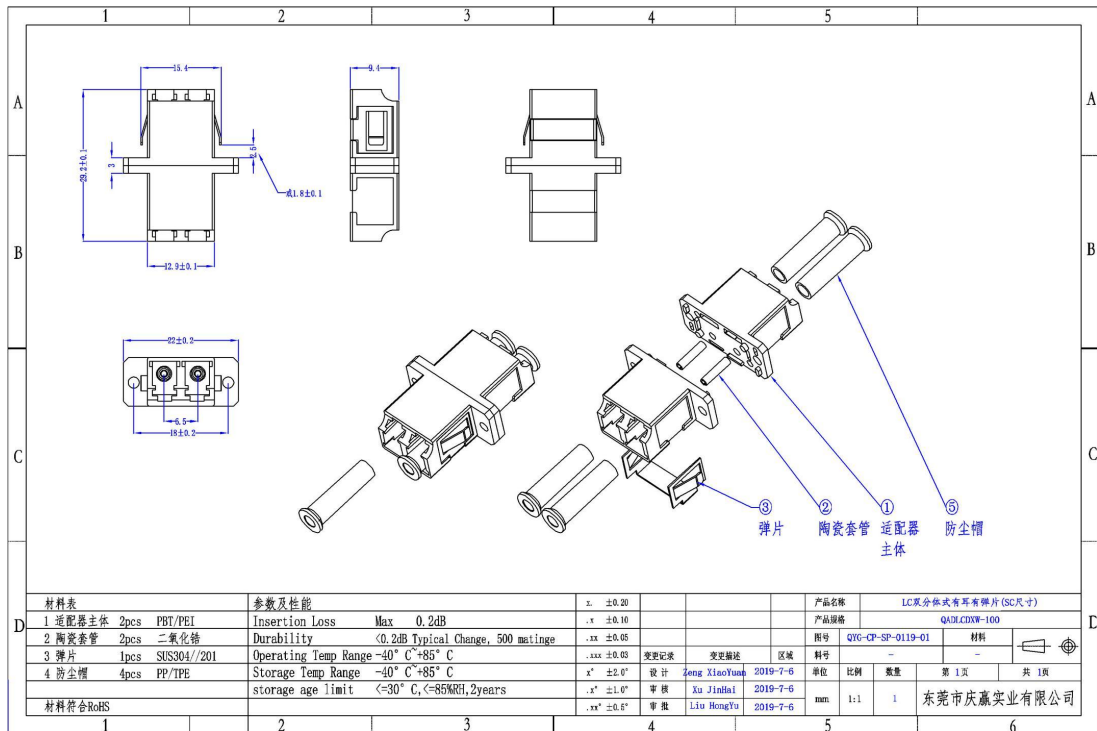
项目 Items	子项目 Sub-items	数量 Number	说明 Explanation	备注 Notes	其它 Others
Characteristic		After test, $\Delta IL \leq 0.2\text{dB}$	per min, 10Hz to 55Hz; Maximum frequency sweep: 2.5min; Endurance duration per axis: 2hours; Number of axes: 3 orthogonal; Number of sweeps per axis: 120; Vibration amplitude: 1.5mm peak to peak; Requirements: During and after $\Delta IL \leq 0.2\text{dB}$, $\Delta RL \leq 5\text{dB}$, No mechanical damage	55Hz; Maximum frequency sweep: 2min , one sweep: 10HZ->55HZ->10HZ Endurance duration per axis: 2 hours; Number of axes: 3 orthogonal; Number of sweeps per axis: 60; Vibration amplitude: 1.5mm peak to peak; $\Delta IL \leq 0.2\text{dB}$	
	盐雾实验 Salt Spray	After 96H test $\Delta IL \leq 0.2\text{dB}$	Test method: IEC61300-2-26 Salt solution 5%±1% NaCl (PH6.5-7.2) Temperature: +35°C Relative humidity: >85% Duration of the test: 96h Requirements: After $\Delta IL \leq 0.2\text{dB}$, $\Delta RL \leq 5\text{dB}$, No mechanical damage	Or: Same condition, only $\Delta IL \leq 0.2\text{dB}$ NO test RL	
	低温 Low temperature	After 96H test $\Delta IL \leq 0.2\text{dB}$	Test method: IEC61300-2-17 Temperature: -25°C; Duration: 96 hours; Requirements: During and after $\Delta IL \leq 0.2\text{dB}$, $\Delta RL \leq 5\text{dB}$, No mechanical damage	Or: Same condition, only $\Delta IL \leq 0.2\text{dB}$ NO test RL	
	高温 High temperature	After 96H test $\Delta IL \leq 0.2\text{dB}$	Test method: IEC61300-2-1 Temperature: 70°C; Duration of exposure: 96 hours; Requirements: $\Delta IL \leq 0.2\text{dB}$, $\Delta RL \leq 5\text{dB}$ No mechanical damage	Or: Same condition, only $\Delta IL \leq 0.2\text{dB}$ NO test RL	
	湿热 Humidity	After 168H test $\Delta IL \leq 0.2\text{dB}$	Test method: IEC61300-2-19 Room temperature: 40°C From 40°C to 75°C: Relative humidity: 95 % Duration: 168h. Drop to 40°C Requirements: During and after $\Delta IL \leq 0.2\text{dB}$, $\Delta RL \leq 5\text{dB}$, No mechanical damage	Or: Same condition, only $\Delta IL \leq 0.2\text{dB}$ NO test RL	
光学性能 Optical Characteristic	★最大插损值 The highest Insertion loss Value	$IL_{\max} \leq 0.2\text{dB}$	产品插损 $\leq 0.2\text{dB}$ All test $IL \leq 0.2\text{dB}$		
	陶瓷套管方向性 Directionality of ceramic sleeve	$IL \leq 0.2\text{dB}$	陶瓷套管按顺序 0-90-180-270° 转动四个方向 Turn sleeve 0-90-180-270°	四向插损均 $\leq 0.2\text{dB}$ All 4 direction $IL \leq 0.2\text{dB}$	
环境性能 Environmental	工作温度范围 Working temperature	-25°C~+75°C		-40°C~+85°C (FC/MPO)	
环保要求 Environment Protection	材料符合环保要求 Materials are environment protection	RoHS	0r/and: REACH, HW		
包装 存储 标签 Packaging,	★包装方式 Packaging type	盘式, PE 袋装 Tray or PE bag	可接受客户定制包装要求 Customer may order packaging type		
	存储期限	24 months	In room temperature, all	Or 12 months	

项目 Items	子项目 Sub-items	数量 Number	说明 Explanation	备注 Notes	其它 Others
Storage, Label	Shelf Life		specification almost no change		
	包装材料要求 Other requirement for Packing Material	环保 Recycle	环保, 防静电等 Recycle, Anti-static, etc.		
	标签 Label	名称; 规格; 数量; 产品批号; 厂商标或标记 Product name, specification, numbers, patch, manufacture logo or mark		按客户要求 Or customer ordered	


产品外观:



产品图纸



产品信息

No.	型号	产品名称	规格	图片
1	OCL-201	1C 光纤耦合器	工程电信级 光纤耦合器法兰盘 LC-LC 光纤网络跳线延长对接头 LC 双工 尺寸:34*22*9mm	

*** 感谢您的查阅 ***

公司名称: 深圳市创新胜为科技有限公司

编写人: 胜为产品部

日期: 2022 年 10 月 24 日